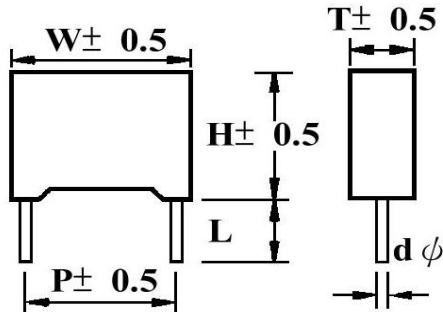


金屬化聚丙烯膜抗干擾電容器 SMXV series

■ 外觀圖 Outline Drawing



■ 主要用途

適用於高頻·直流·交流·偶合·跨接脈衝電路中。

■ 特點

能承受過壓衝擊

優異的阻燃性能

塑料外殼(UL94 V-0),阻燃環氧樹脂填充

■ 結構組合

介質: 聚丙烯膜

電極: 金屬蒸鍍層 (鋅鋁合成加厚型)

外殼: 阻燃 PBT 塑殼 (UL94 V-0)

封裝: 阻燃環氧樹脂 (UL94 V-0)

導線: 鍍錫銅包鋼線

■ Typical Applications

Widely used in high frequency, DC, AC and pulse circuits .

■ Features

Withstanding over voltage stressing

Excellent passive flame resistant abilities

Plastic case (UL94 V-0), Epoxy resin sealing

■ Construction

Dielectric: Polypropylene film





Electrodes: Metal vapor coating(Zn-Al synthetic)

Case: Flame-retardant PBT (UL94 V-0)

Epoxy Resin coating (UL 94 V-0)

Lead: Tinned copper clad steel wire

■ 安全認證 Safety Approvals

UL, cUL UL60384-14	E302125	
ENEC(VDE) , DIN EN 60384-14 : 2013 EN 60384-14 : 2013-08 , IEC 60384-14 : (Ed 3)	40030283	
KC K60384-14	SU03034-12001A, SU03034-12002A SU03034-12003A, SU03034-12004A	
CQC GB/T 6346.14-2015	CQC05001012269 (275Vac) CQC13001096493 (310Vac)	

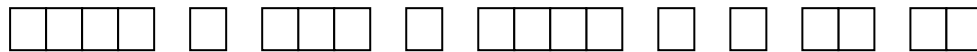
金屬化聚丙烯膜抗干擾電容器 SMXV series

■ 技術要求 Specifications

氣候類別 / 阻燃等級 Climatic Category / Passive Flammability Class	40/110/56/B
工作溫度範圍 Operating Temperature Range	-40°C~110°C
額定電壓 Rated Voltage	310Vac(SMXV)
電容量範圍 Capacitance Range	0.001 μ F(102)~4.7 μ F(475)
電容偏差 Capacitance Tolerance	$\pm 10\%$ (K) , $\pm 20\%$ (M)
絕緣電阻 Insulation Resistance	$C_R \leq 0.33\mu F$ IR $\geq 15,000M\Omega$ $C_R > 0.33\mu F$ IR $\geq 5,000M\Omega/Cap(\mu F)$
損耗角 Dissipation Factor	0.1% Max, at 1KHz and 25°C

■ 產品編碼說明 Product code system

19位產品代碼如下:



第 1~4 碼	薄膜電容器系列代碼 SMXW = Interference Suppressors Class-X2	Digit 1 to 4	Series code
第 5 碼	內部使用	Digit 5	Internal use
第 6~8 碼	標稱容量描述的三位數代碼 103=10000pF=10nF=0.01 f	Digit 6 to 8	Rated capacitance value
第 9 碼	容量偏差 $\pm 10\%$ (K) , $\pm 20\%$ (M)	Digit 9	Capacitance tolerance
第 10~13 碼	殼體型號	Digit 10 to 13	Case No.
第 14 碼	電壓代碼 A= AC , D=DC	Digit 14	Voltage code
第 15 碼	引線成形 Shown as Product code system	Digit 15	Lead forming
第 16~17 碼	引線間距 08=7.5mm , 15=15mm , 23=22.5mm	Digit 16 to 17	Lead pitch
第 18~19 碼	引線長度 04=3.5mm , 06=6mm , 15=15mm	Digit 18 to 19	Lead length

金屬化聚丙烯膜抗干擾電容器 SMXV series

■ 外型尺寸表 Dimensions (mm)

Pitch 10mm						
容量 μF	W	H	T	P	d	產品代碼 Part number
0.001	10	9	4	7.5	0.6	SMXV_102KB3LTAB0815
0.001	13	11	5	10	0.6	SMXV_102KC2X1AB1015
0.0022	13	11	5	10	0.6	SMXV_222KC2X1AB1015
0.0033	13	11	5	10	0.6	SMXV_332KC2X1AB1015
0.0047	13	11	5	10	0.6	SMXV_472KC2X1AB1015
0.0068	13	11	5	10	0.6	SMXV_682KC2X1AB1015
0.01	13	11	5	10	0.6	SMXV_103KC2X1AB1015
0.022	13	11	5	10	0.6	SMXV_223KC2X1AB1015
0.033	13	11	5	10	0.6	SMXV_333KC2X1AB1015
0.047	13	12	6	10	0.6	SMXV_473KC3XXAB1015
0.068	13	12	6	10	0.6	SMXV_683KC3XXAB1015
0.1	13	12	6	10	0.6	SMXV_104KC3XXAB1015
0.15	13	14	8	10	0.6	SMXV_154KC5LTAB1015
0.22	13	14	8	10	0.6	SMXV_224KC5LTAB1015

Pitch 15mm						
容量 μF	W	H	T	P	d	產品代碼 Part number
0.01	18	11	5	15	0.8	SMXV_103KD1XXAB1515
0.022	18	11	5	15	0.8	SMXV_223KD1XXAB1515
0.033	18	11	5	15	0.8	SMXV_333KD1XXAB1515
0.047	18	11	5	15	0.8	SMXV_473KD1XXAB1515
0.056	18	11	5	15	0.8	SMXV_563KD1XXAB1515
0.068	18	11	5	15	0.8	SMXV_683KD1XXAB1515
0.1	18	11	5	15	0.8	SMXV_104KD1XXAB1515
0.1	18	12	6	15	0.8	SMXV_104KD2X5AB1515
0.15	18	12	6	15	0.8	SMXV_154KD2X5AB1515
0.22	18	12	6	15	0.8	SMXV_224KD2X5AB1515
0.22	18	13.5	7.5	15	0.8	SMXV_224KD3XXAB1515
0.22	18	14.5	8.5	15	0.8	SMXV_224KD4XXAB1515

0.33	18	14.5	8.5	15	0.8	SMXV_334KD4XXAB1515
0.33	18	15.5	9.5	15	0.8	SMXV_334KD5XXAB1515
0.47	18	15.5	9.5	15	0.8	SMXV_474KD5XXAB1515
0.47	18	19	10.8	15	0.8	SMXV_474KD7XXAB1515
0.68	18	19	10.8	15	0.8	SMXV_684KD7XXAB1515

Pitch 22.5mm						
容量 μF	W	H	T	P	d	產品代碼 Part number
0.22	26.5	16.5	7	22.5	0.8	SMXV_224KE2XXAB2315
0.33	26.5	17	8.5	22.5	0.8	SMXV_334KE3XXAB2315
0.47	26.5	19	10	22.5	0.8	SMXV_474KE4X5AB2315
0.68	26.5	19	10	22.5	0.8	SMXV_684KE4XXAB2315
1.0	26.5	19	10	22.5	0.8	SMXV_105KE4XXAB2315
1.2	26	20	11	22.5	0.8	SMXV_125KE5XXAB2315
1.5	26.5	23	13	22.5	0.8	SMXV_155KE7XXAB2315
1.8	26.5	25	15	22.5	0.8	SMXV_185KE24LAB2315
2.2	26.5	23	13	22.5	0.8	SMXV_225KE7XXAB2315
2.2	26.5	24.5	15.5	22.5	0.8	SMXV_225KE24LAB2315

Pitch 27.5mm						
容量 μF	W	H	T	P	d	產品代碼 Part number
0.47	31.5	19.5	10.8	27.5	0.8	SMXV_474KF1XXAB2815
0.68	31.5	19.5	10.8	27.5	0.8	SMXV_684KF1XXAB2815
1.0	31.5	19.5	10.8	27.5	0.8	SMXV_105KF1XXAB2815
1.0	31.5	21.5	13	27.5	0.8	SMXV_105KF2XXAB2815
1.2	31.5	19.5	10.8	27.5	0.8	SMXV_125KF1XXAB2815
1.5	31.5	19.5	10.8	27.5	0.8	SMXV_155KF1XXAB2815
1.8	31.5	21.5	13	27.5	0.8	SMXV_185KF2XXAB2815
2.2	31	25	14	27.5	0.8	SMXV_225KF3XXAB2815
2.2	32	28	18	27.5	0.8	SMXV_225KF13XAB2815

* = Lead Forming (Refer to Product code system) ** = Lead length

_ = Internal use