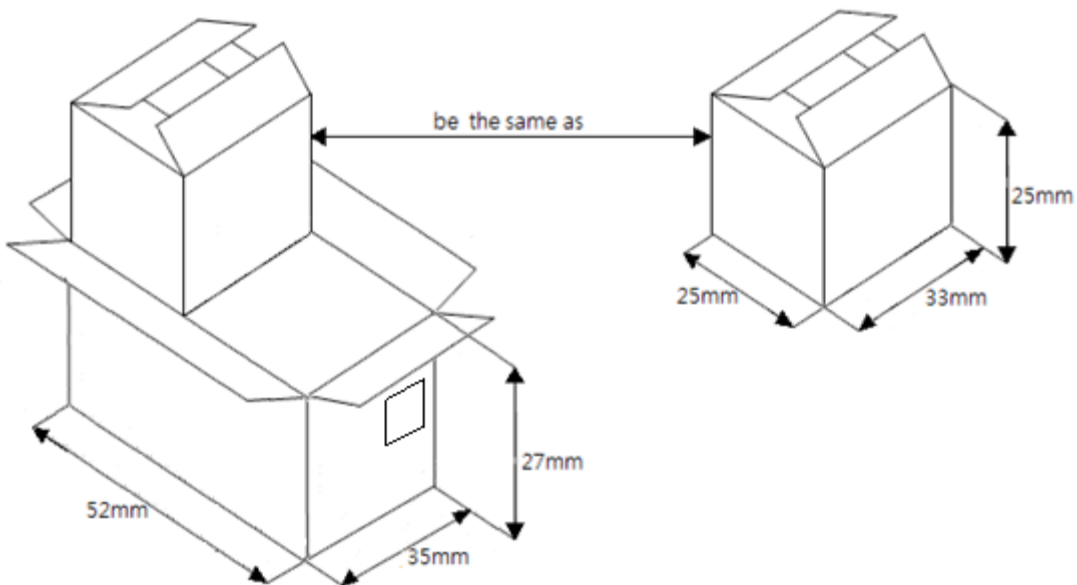




Taping & Packing

Package for bulk



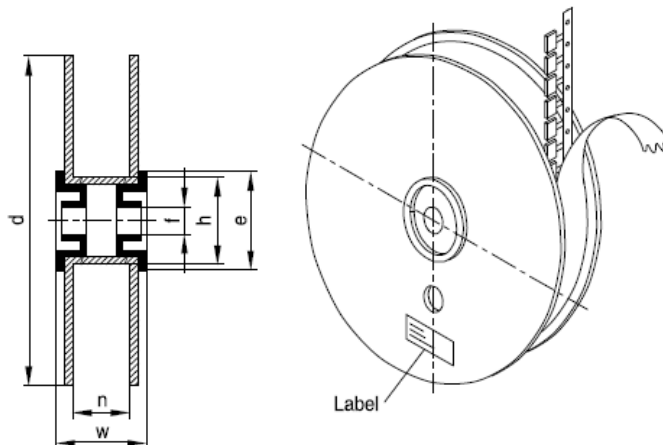
Packing quantity

Case Type	Lead Pitch (mm)	SPQ (Pcs/Bag)	Remark
Radial, Coated	$P \leq 10$	1000	
	$P = 15, P = 20$	500	
	$P = 27.5$	200	
	$P \geq 31.5$	100	
Radial, Boxed	$P = 10$	500	
	$P = 15$	500	
	$P = 15, T \geq 7.5mm$	300	Case No. $\geq D3$
	$P = 15, T \geq 10.8mm$	200	Case No. $\geq D7$
	$P = 22.5$	200	
	$P \geq 27.5$	100	
Notes: Ruled above is based on Standard Lead Length (Coated $\leq 23mm$ , Boxed $\leq 15mm$ )			

Taping & Packing

Package for Taping

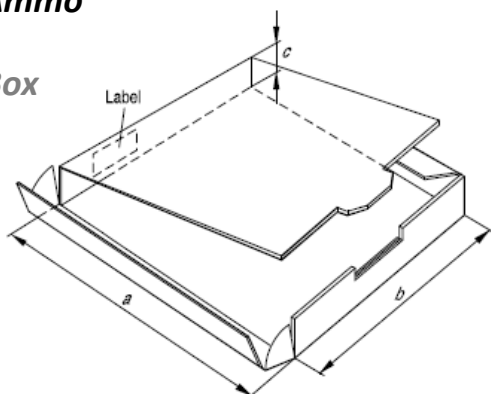
Reel



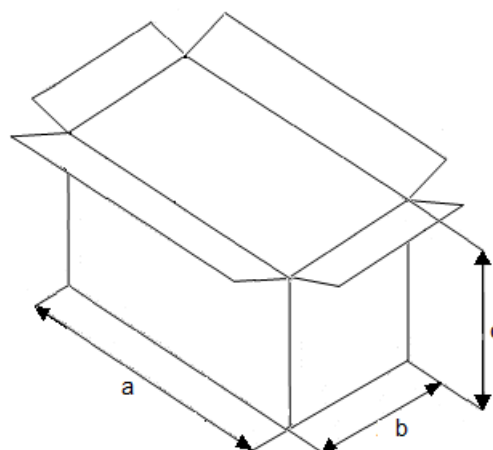
Dimensions(mm)	n	w	$\Phi d$	$\Phi e$	$\Phi f$	$\Phi h$
Lead spacing $\leq 7.5$	42+1	60max.	340	88	30.5±0.7	82+1
Lead spacing $\geq 10$	54+1	70max.	340	88	30.5±0.7	82+1

Ammo

Box



Carton



Dimensions	Lead spacing (mm)			
	5, 7.5, 10		15, 22.5	
	Small box	Small carton	Big box	Big carton
a mm	275	560	335	680
b mm	330	345	335	340
c mm	50	300	50	300