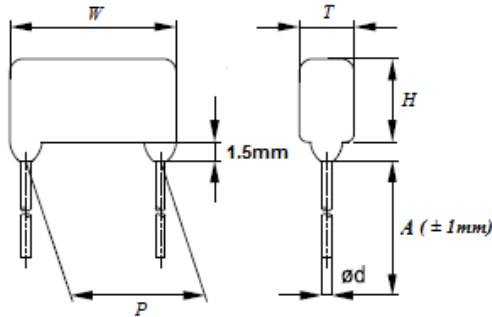


Metallized Polypropylene Film Capacitor (Dipped)



金屬化聚丙烯膜電容器 (浸漬型) SMPP series

■ 外觀圖 Outline Drawing



■ 主要用途:

廣泛用於高頻·直流·交流和脈衝電路中
電子式鎮流器·開關模式電源供應器
適用於各種高頻·大電流場合

■ Typical Applications

Widely used in high frequency, DC, AC and pulse circuits
Electronic ballasts, Switch-mode power supplies
Suitable for the situation where applies high frequency and high current pulse

■ 特點:

金屬化聚丙烯膜, 無感捲繞結構

高頻損耗小
內部溫升小
阻燃性環氧樹脂包封

■ Features

Metalized polypropylene film, non-inductive wound construction
Low loss at high frequency
Small inherent temperature rise
Flame retardant epoxy resin coating

■ 技術要求 Specifications

| | | |
|---------------------------------------|--|---|
| 引用標準 Reference Standard | GB/T 14579 (IEC 60384-17) | |
| 氣候類別 Climatic Category | 55/105/21 | |
| 工作溫度範圍 Operating Temperature Range | -40°C~+105°C (+85°C to +105°C: decreasing factor 1.25% per °C for UR) | |
| 電容量範圍 Capacitance Range | 0.001uF ~ 3.3μF | |
| 額定電壓 Rated (DC) Voltage | 100Vdc , 250Vdc , 400Vdc , 630Vdc , 1000Vdc | |
| 額定電壓 Rated (AC) Voltage | 63Vac , 160Vac , 200Vac , 220Vac , 400Vac | |
| 電容偏差 Capacitance Tolerance | ±5%(J) 、 ±10%(K) | |
| 承受電壓 Voltage Proof | 1.5UR (5s) | |
| 損耗角 Dissipation Factor | ≤ 0.1% (20°C,1kHz) | |
| 絕緣電阻 Insulation Resistance | UR ≤ 100V | $C_R \leq 0.33\mu F$ IR ≥ 100,000MΩ $C_R > 0.33\mu F$ IR ≥ 30,000S |

Metallized Polypropylene Film Capacitor
 金屬化聚丙烯膜電容器 (浸漬型) SMPP series



■ 外型尺寸表 Dimensions (mm)

* = Lead Forming (Refer to Product code system)

** = Lead length

| 100Vdc (63Vac) | | | | | | |
|----------------|----|------|------|-----|-----|---------------------|
| 容量 Uf | W | H | T | P | d | 產品代碼 Part number |
| 0.01 | 10 | 10 | 6 | 7.5 | 0.6 | SMPP_103*0100D*08** |
| 0.015 | 10 | 11 | 7 | 7.5 | 0.6 | SMPP_153*0100D*08** |
| 0.018 | 10 | 11 | 7.5 | 7.5 | 0.6 | SMPP_183*0100D*08** |
| 0.022 | 10 | 9 | 5.5 | 7.5 | 0.6 | SMPP_223*0100D*08** |
| 0.027 | 10 | 9.5 | 5.5 | 7.5 | 0.6 | SMPP_273*0100D*08** |
| 0.033 | 10 | 10 | 6 | 7.5 | 0.6 | SMPP_333*0100D*08** |
| 0.039 | 10 | 10 | 6.5 | 7.5 | 0.6 | SMPP_393*0100D*08** |
| 0.047 | 10 | 10.5 | 7 | 7.5 | 0.6 | SMPP_473*0100D*08** |
| 0.056 | 10 | 9 | 5.5 | 7.5 | 0.6 | SMPP_563*0100D*08** |
| 0.068 | 10 | 9.5 | 5.5 | 7.5 | 0.6 | SMPP_683*0100D*08** |
| 0.082 | 10 | 10.5 | 6 | 7.5 | 0.6 | SMPP_823*0100D*08** |
| 0.1 | 10 | 10.5 | 6.5 | 7.5 | 0.6 | SMPP_104*0100D*08** |
| 0.12 | 10 | 11 | 6.5 | 7.5 | 0.6 | SMPP_124*0100D*08** |
| 0.15 | 13 | 11 | 6.5 | 10 | 0.6 | SMPP_154*0100D*10** |
| 0.18 | 13 | 12 | 6.5 | 10 | 0.6 | SMPP_184*0100D*10** |
| 0.22 | 13 | 12.5 | 7 | 10 | 0.6 | SMPP_224*0100D*10** |
| 0.27 | 13 | 13 | 7.5 | 10 | 0.6 | SMPP_274*0100D*10** |
| 0.33 | 19 | 12 | 6.5 | 15 | 0.8 | SMPP_334*0100D*15** |
| 0.39 | 19 | 12.5 | 7 | 15 | 0.8 | SMPP_394*0100D*15** |
| 0.47 | 19 | 13 | 7.5 | 15 | 0.8 | SMPP_474*0100D*15** |
| 0.56 | 19 | 13.5 | 8 | 15 | 0.8 | SMPP_564*0100D*15** |
| 0.68 | 19 | 14 | 9 | 15 | 0.8 | SMPP_684*0100D*15** |
| 0.82 | 19 | 15 | 9.5 | 15 | 0.8 | SMPP_824*0100D*15** |
| 1.0 | 24 | 15.5 | 8.5 | 20 | 0.8 | SMPP_105*0100D*20** |
| 1.2 | 24 | 16 | 9.5 | 20 | 0.8 | SMPP_125*0100D*20** |
| 1.5 | 24 | 17 | 10.5 | 20 | 0.8 | SMPP_155*0100D*20** |
| 1.8 | 24 | 18 | 11.5 | 20 | 0.8 | SMPP_185*0100D*20** |
| 2.0 | 29 | 17.5 | 10.5 | 25 | 0.8 | SMPP_205*0100D*25** |
| 2.2 | 29 | 18 | 11 | 25 | 0.8 | SMPP_205*0100D*25** |
| 2.7 | 29 | 20 | 11.5 | 25 | 0.8 | SMPP_205*0100D*25** |
| 3.3 | 29 | 21 | 13 | 25 | 0.8 | SMPP_205*0100D*25** |

| 250Vdc (160Vac) | | | | | | |
|-----------------|----|------|------|-----|-----|----------------------|
| 容量 uF | W | H | T | P | d | 產品代碼 Part number |
| 0.01 | 10 | 10 | 6 | 7.5 | 0.6 | SMPP_103*0250D*08** |
| 0.015 | 10 | 9.5 | 6 | 7.5 | 0.6 | SMPP_153*0250D*08** |
| 0.018 | 10 | 10 | 6 | 7.5 | 0.6 | SMPP_183*0250D*08** |
| 0.022 | 10 | 9 | 5.5 | 7.5 | 0.6 | SMPP_223*0250D*08** |
| 0.027 | 10 | 9.5 | 5.5 | 7.5 | 0.6 | SMPP_273*0250D*08** |
| 0.033 | 10 | 10 | 6 | 7.5 | 0.6 | SMPP_333*0250D*08** |
| 0.039 | 10 | 10 | 6.5 | 7.5 | 0.6 | SMPP_393*0250D*08** |
| 0.047 | 10 | 10.5 | 7 | 7.5 | 0.6 | SMPP_473*0250D*08** |
| 0.056 | 13 | 10 | 6.5 | 10 | 0.6 | SMPP_563*0250D*10** |
| 0.068 | 13 | 10.5 | 7 | 10 | 0.6 | SMPP_683*0250D*10** |
| 0.082 | 13 | 10.5 | 6 | 10 | 0.6 | SMPP_823*0250D*10** |
| 0.1 | 13 | 11 | 6.5 | 10 | 0.6 | SMPP_104*0250DB*10** |
| 0.12 | 13 | 11.5 | 7 | 10 | 0.6 | SMPP_124*0250D*10** |
| 0.15 | 19 | 12 | 7 | 15 | 0.8 | SMPP_154*0250D*15** |
| 0.18 | 19 | 13.5 | 7 | 15 | 0.8 | SMPP_184*0250D*15** |
| 0.22 | 19 | 14 | 7.5 | 15 | 0.8 | SMPP_224*0250D*15** |
| 0.27 | 19 | 15 | 8 | 15 | 0.8 | SMPP_274*0250D*15** |
| 0.33 | 19 | 15.5 | 9 | 15 | 0.8 | SMPP_334*0250D*15** |
| 0.39 | 24 | 14.5 | 8.5 | 20 | 0.8 | SMPP_394*0250D*20** |
| 0.47 | 24 | 15 | 9 | 20 | 0.8 | SMPP_474*0250D*20** |
| 0.56 | 24 | 16 | 10 | 20 | 0.8 | SMPP_564*0250D*20** |
| 0.68 | 24 | 17.5 | 10.5 | 20 | 0.8 | SMPP_684*0250D*20** |
| 0.82 | 24 | 18.5 | 11.5 | 20 | 0.8 | SMPP_824*0250D*20** |
| 1.0 | 29 | 17.5 | 9 | 25 | 0.8 | SMPP_105*0250D*25** |
| 1.2 | 29 | 18 | 10 | 25 | 0.8 | SMPP_105*0250D*25** |
| 1.5 | 29 | 19.5 | 11 | 25 | 0.8 | SMPP_105*0250D*25** |
| 1.8 | 29 | 21.5 | 11.5 | 25 | 0.8 | SMPP_105*0250D*25** |
| 2.0 | 29 | 22 | 12 | 25 | 0.8 | SMPP_105*0250D*25** |
| 2.2 | 29 | 22.5 | 12.5 | 25 | 0.8 | SMPP_105*0250D*25** |
| 2.7 | 29 | 24 | 14 | 25 | 0.8 | SMPP_105*0250D*25** |
| 3.3 | 29 | 25.5 | 15.5 | 25 | 0.8 | SMPP_105*0250D*25** |

Metallized Polypropylene Film Capacitor
 金屬化聚丙烯膜電容器 (浸漬型) SMPP series



■ 外型尺寸表 Dimensions (mm)

| 400Vdc (200Vac) | | | | | | |
|-----------------|----|------|-----|-----|-----|---------------------|
| 容量 uF | W | H | T | P | d | 產品代碼 Part number |
| 0.01 | 10 | 10 | 6 | 7.5 | 0.6 | SMPP_103*0400D*08** |
| 0.015 | 10 | 11 | 7 | 7.5 | 0.6 | SMPP_153*0400D*08** |
| 0.018 | 10 | 11 | 7.5 | 7.5 | 0.6 | SMPP_183*0400D*08** |
| 0.022 | 10 | 12 | 8 | 7.5 | 0.6 | SMPP_223*0400D*08** |
| 0.027 | 13 | 12 | 6.5 | 10 | 0.6 | SMPP_273*0400D*10** |
| 0.033 | 13 | 12 | 7 | 10 | 0.6 | SMPP_333*0400D*10** |
| 0.039 | 13 | 12.5 | 7 | 10 | 0.6 | SMPP_393*0400D*10** |
| 0.047 | 13 | 13 | 8 | 10 | 0.6 | SMPP_473*0400D*10** |
| 0.056 | 13 | 14 | 8.5 | 10 | 0.6 | SMPP_563*0400D*10** |
| 0.068 | 19 | 13.5 | 6.5 | 15 | 0.8 | SMPP_683*0400D*15** |
| 0.082 | 19 | 13.5 | 7 | 15 | 0.8 | SMPP_823*0400D*15** |
| 0.1 | 19 | 14.5 | 7.5 | 15 | 0.8 | SMPP_104*0400D*15** |
| 0.12 | 19 | 15 | 8 | 15 | 0.8 | SMPP_124*0400D*15** |
| 0.15 | 19 | 15.5 | 9 | 15 | 0.8 | SMPP_154*0400D*15** |
| 0.18 | 24 | 15 | 8 | 20 | 0.8 | SMPP_184*0400D*20** |
| 0.22 | 24 | 16 | 8.5 | 20 | 0.8 | SMPP_224*0400D*20** |
| 0.27 | 24 | 16.5 | 9.5 | 20 | 0.8 | SMPP_274*0400D*20** |
| 0.33 | 24 | 17.5 | 10 | 20 | 0.8 | SMPP_334*0400D*20** |
| 0.39 | 29 | 17 | 9.5 | 25 | 0.8 | SMPP_394*0400D*25** |
| 0.47 | 29 | 18.5 | 10 | 25 | 0.8 | SMPP_474*0400D*25** |
| 0.56 | 29 | 19.5 | 11 | 25 | 0.8 | SMPP_564*0400D*25** |
| 0.68 | 29 | 19.5 | 12 | 25 | 0.8 | SMPP_684*0400D*25** |
| 0.82 | 34 | 20.5 | 12 | 30 | 0.8 | SMPP_824*0400D*30** |
| 1.0 | 34 | 21.5 | 13 | 30 | 0.8 | SMPP_105*0400D*30** |

| 630Vdc (220Vac) | | | | | | |
|-----------------|----|------|------|-----|-----|---------------------|
| 容量 uF | W | H | T | P | d | 產品代碼 Part number |
| 0.001 | 10 | 9 | 5.5 | 7.5 | 0.6 | SMPP_102*0630D*08** |
| 0.0015 | 10 | 9 | 5.5 | 7.5 | 0.6 | SMPP_152*0630D*08** |
| 0.0018 | 10 | 9 | 5.5 | 7.5 | 0.6 | SMPP_182*0630D*08** |
| 0.0022 | 10 | 9 | 6 | 7.5 | 0.6 | SMPP_222*0630D*08** |
| 0.0027 | 10 | 9 | 5 | 7.5 | 0.6 | SMPP_272*0630D*08** |
| 0.0033 | 10 | 9 | 5.5 | 7.5 | 0.6 | SMPP_332*0630D*08** |
| 0.0039 | 10 | 9 | 5.5 | 7.5 | 0.6 | SMPP_392*0630D*08** |
| 0.0047 | 10 | 9.5 | 6 | 7.5 | 0.6 | SMPP_472*0630D*08** |
| 0.0056 | 10 | 10 | 6.5 | 7.5 | 0.6 | SMPP_562*0630D*08** |
| 0.0068 | 13 | 9 | 5.5 | 10 | 0.6 | SMPP_682*0630D*10** |
| 0.0082 | 13 | 9 | 6 | 10 | 0.6 | SMPP_822*0630D*10** |
| 0.01 | 13 | 11 | 6 | 10 | 0.6 | SMPP_103*0630D*10** |
| 0.015 | 13 | 12 | 7 | 10 | 0.6 | SMPP_153*0630D*10** |
| 0.018 | 13 | 13 | 7.5 | 10 | 0.6 | SMPP_183*0630D*10** |
| 0.022 | 13 | 13.5 | 8 | 10 | 0.6 | SMPP_223*0630D*10** |
| 0.027 | 19 | 12 | 7 | 15 | 0.8 | SMPP_273*0630D*15** |
| 0.033 | 19 | 12.5 | 7.5 | 15 | 0.8 | SMPP_333*0630D*15** |
| 0.039 | 19 | 13 | 8 | 15 | 0.8 | SMPP_393*0630D*15** |
| 0.047 | 19 | 13.5 | 8.5 | 15 | 0.8 | SMPP_473*0630D*15** |
| 0.056 | 19 | 15 | 8.5 | 15 | 0.8 | SMPP_563*0630D*15** |
| 0.068 | 24 | 14.5 | 8 | 20 | 0.8 | SMPP_683*0630D*20** |
| 0.082 | 24 | 15 | 8.5 | 20 | 0.8 | SMPP_823*0630D*20** |
| 0.1 | 24 | 16 | 9 | 20 | 0.8 | SMPP_104*0630D*20** |
| 0.15 | 24 | 17.5 | 10.5 | 20 | 0.8 | SMPP_154*0630D*20** |
| 0.18 | 24 | 19.5 | 11 | 20 | 0.8 | SMPP_184*0630D*20** |
| 0.22 | 29 | 19.5 | 10 | 25 | 0.8 | SMPP_224*0630D*25** |
| 0.27 | 29 | 20.5 | 11.5 | 25 | 0.8 | SMPP_274*0630D*25** |
| 0.33 | 29 | 22 | 12 | 25 | 0.8 | SMPP_334*0630D*25** |
| 0.39 | 34 | 20.5 | 12.5 | 30 | 0.8 | SMPP_394*0630D*30** |
| 0.47 | 34 | 22 | 13.5 | 30 | 0.8 | SMPP_474*0630D*30** |
| 0.56 | 34 | 23 | 14.5 | 30 | 0.8 | SMPP_564*0630D*30** |

* = Lead Forming (Refer to Product code system) ** = Lead length

Metallized Polypropylene Film Capacitor
 金屬化聚丙烯膜電容器 (浸漬型) SMPP series



■ 外型尺寸表 Dimensions (mm)

| 1000Vdc (400Vac) | | | | | | |
|------------------|------|------|-----|-----|-----|---------------------|
| 容量 uF | W | H | T | P | d | 產品代碼 Part number |
| 0.001 | 10 | 9 | 5.5 | 7.5 | 0.6 | SMPP_102*1000D*08** |
| 0.0015 | 10 | 9 | 5.5 | 7.5 | 0.6 | SMPP_152*1000D*08** |
| 0.0018 | 10 | 9 | 5.5 | 7.5 | 0.6 | SMPP_182*1000D*08** |
| 0.0022 | 10 | 9 | 6 | 7.5 | 0.6 | SMPP_222*1000D*08** |
| 0.0027 | 10 | 10 | 6 | 7.5 | 0.6 | SMPP_272*1000D*08** |
| 0.0033 | 10 | 10 | 6.5 | 7.5 | 0.6 | SMPP_332*1000D*08** |
| 0.0039 | 10 | 10.5 | 7 | 7.5 | 0.6 | SMPP_392*1000D*08** |
| 0.0047 | 10 | 11 | 7.5 | 7.5 | 0.6 | SMPP_472*1000D*08** |
| 0.0056 | 10 | 11.5 | 8 | 7.5 | 0.6 | SMPP_562*1000D*08** |
| 0.0068 | 12.5 | 10.5 | 7 | 10 | 0.8 | SMPP_682*1000D*10** |
| 0.0082 | 12.5 | 11 | 7.5 | 10 | 0.8 | SMPP_822*1000D*10** |

* = Lead Forming (Refer to Product code system)

** = Lead length